

Technical details

Operating pressure	1 ... 10 bar
Temperature range	-30°C ... +80°C (0 ... +150°C for high temperature version)
Medium	Filtered, oil-free and dried compressed air according to ISO 8573-1:2010, Class 7:2:4, instrument air, free of aggressive additives. Alternatively the pressure dew point must be at least 10°C below lowest occurring ambient temperature.
Materials	Cylinder tube: AISI 304 (1.4301) End caps: AISI 304 (1.4301) Piston rod: AISI 316 (1.4401) Seals: PU (optional FKM)
	Cylinders in accordance with 2014/34/EU (ATEX) available. (Chapter 13)



Double acting pneumatic cylinder with magnetic piston and built-in cushioning rings. Der Zylinder ist in den Durchmessern 32 und 40 auch mit einstellbarer, pneumatischer Endlagendämpfung lieferbar.

Versions

	CM double acting, with magnetic piston		CMDE double acting, double end piston rod, with magnetic piston
	CMP double acting, adjustable cushioning, with magnetic piston		CMPDE double acting, double end piston rod, adjustable cushioning, with magnetic piston
	CDH double acting, high temperature version		
	CDHP double acting, adjustable cushioning, high temperature version		

Order code

C****-**-****-****	
Series	Options
CM standard	ATEX cylinders in accordance with 2014/34/EU (ATEX)
CMP*	
CMDE	
CMPDE*	Stroke (mm)
CDH	XXX max. stroke 900 mm
CDPH*	Piston-Ø
	32 32mm
	40 40 mm
	50 50 mm
	63 63 mm

* only for Ø 32 mm and Ø 40 mm

Series CM

Mini cylinders, double acting

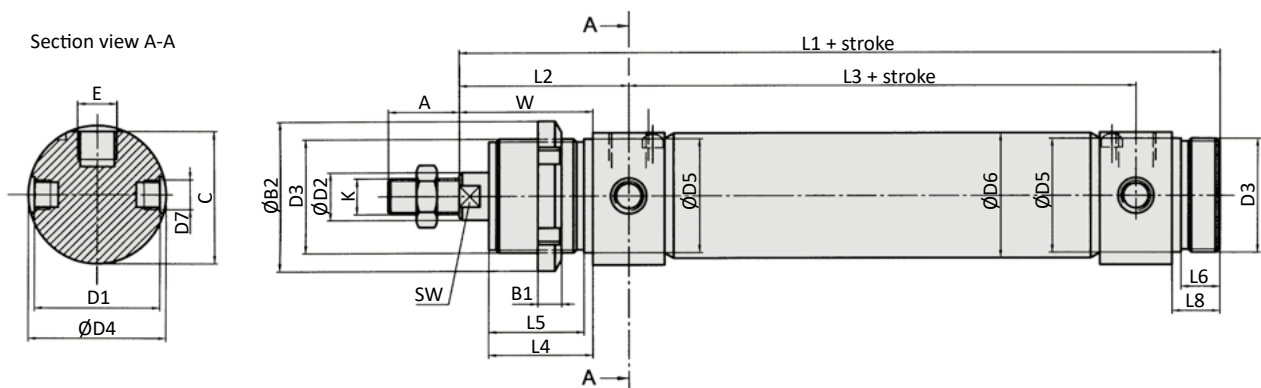


Technical details

Model-no.:	Cxx-32-...	Cxx-40-...	Cxx-50-...	Cxx-63-...
Piston Ø (mm)	32	40	50	63
Force at 6 bar (N)	Extension	434	678	1060
	Retraction	373	570	890
Connection	G1/8	G1/4	G1/4	G3/8
Piston rod thread	M10	M12	M16	M16
Cushioning length (mm)*	22,5	24,5	-	-

* only for series CMP, CMPDE, CDHP

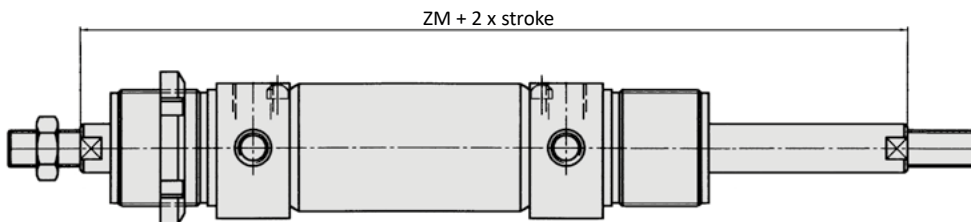
Dimensions series CM, CMP, CDH, CDHP



Piston-Ø	A	B1	B2	C	D1	D2	D3	D4	D5	D6	D7
32	20	7	45	36,5	35	12	M30 x 1,5	38	30	33,6	M8 x 1
40	24	8	50	44	42	16	M38 x 1,5	46	38	41,6	M10 x 1
50	32	9	58	55	53	20	M45 x 1,5	57	45	52,4	M12 x 1,5
63	32	9	58	67,5	66	20	M45 x 1,5	70	45	65,4	M14 x 1,5

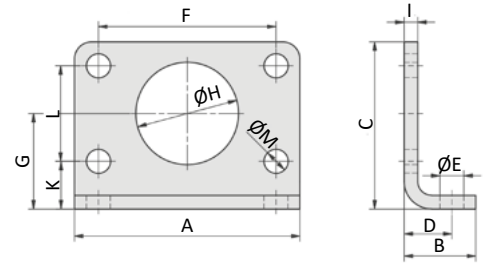
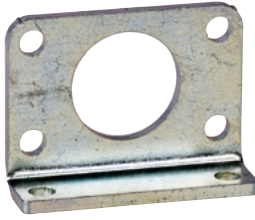
Piston-Ø	E	K	L1	L2	L3	L4	L5	L6	L8	SW	W
32	G1/8	M10	148	47	78	30	27	12	14	10	38
40	G1/4	M12	174	57	89	35	32	13	16	13	45
50	G1/4	M16	188	62	96	38	35	15	18	17	50
63	G3/8	M16	192	63	98	38	35	15	18	17	50

Additional dimensions Series CMDE, CMPDE



Piston-Ø	32	40	50	63
ZM	172	203	220	224

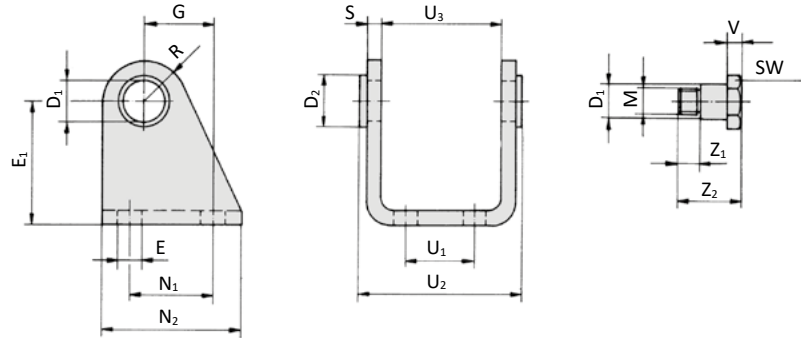
PA-xx Foot mount



Model-no.:	A	B	C	D	Ø E	F	G	Ø H	I	K	L	Ø M
PA-32	66	21	49	14	7	52	28	30	4	14	28	7
PA-40	80	30	58	20	9	60	33	38	5	18	30	9
PA-50	90	30	70	20	9	70	40	45	6	20	40	9
PA-63	96	30	80	20	9	76	45	45	6	20	50	9

Material: stainless steel AISI 304 (1.4301)

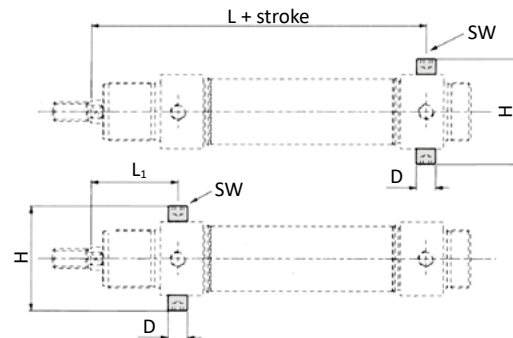
PC-xx Clevis mount



Model-no.:	D ₁	D ₂	E	E ₁	G	M	N ₁	N ₂	R	S	U ₁	U ₂	U ₃	V	Z ₁	Z ₁	SW
PC-32	10	15	7	35	20	M8 x 1	24	40	12	4	20	50,1	38,1	4	6	18	13
PC-40	12	20	9	40	27	M10 x 1	30	50	13	5	28	60,1	46,1	5	7	21,6	17
PC-50	14	23	9	45	30	M12 x 1,5	34	54	14	6	36	74,1	57,1	6	9	26,4	19
PC-63	16	23	9	50	34	M14 x 1,5	35	65	16	6	42	88,1	70,1	6	16	35	19

Material: stainless steel AISI 304 (1.4301), 2 screws are included.

PG-xx Threaded bolts

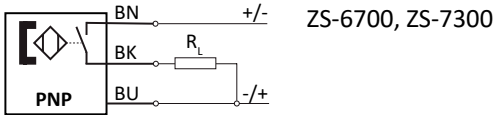
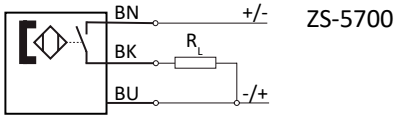
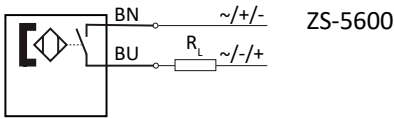


Model-no.:	D	H	L	L ₁	SW
PG-32	10	51	125	47	5
PG-40	12	61	146	57	6
PG-50	14	75	158	62	6
PG-63	16	90	162	64	8

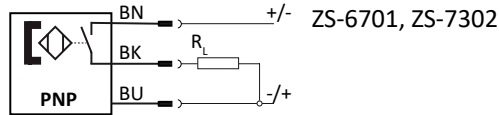
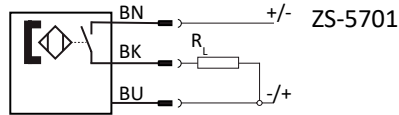
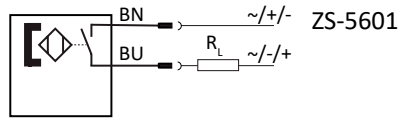
Material: stainless steel AISI 304 (1.4301)

Series ZS Proximity sensors

Proximity sensors with cable



Proximity sensors with plug



Technical data

Model-no.:	ZS-5600	ZS-5601	ZS-5700	ZS-5701
Design	2-pole Reed sensor	2-pole Reed sensor	3-pole Reed sensor	3-pole Reed sensor
Contact function	NO	NO	NO	NO
Rated operational voltage	5 ... 240 V AC / DC	5 ... 60 V AC / DC	5 ... 30 V DC	5 ... 30 V DC
Rated operational current I_e	3 ... 100 mA	3 ... 100 mA	≤ 500 mA	≤ 500 mA
Max. voltage drop at I_e	≤ 2.5	≤ 2.5	≤ 0.1	≤ 0.1
Breaking capacity	10 W	10 W	10 W	10 W
Cable length	3 m	0.3 m with M8 connection	5 m	0.3 m with M8 connection
Temperature range	-10 ... +70°C	-10 ... +70°C	-10 ... +70°C	-10 ... +70°C
Protection	IP 67	IP 67	IP 67	IP 67
Switching status indication	LED red	LED red	LED yellow	LED yellow

Model-no.:	ZS-6700	ZS-6701	ZS-7300	ZS-7302
Design	3-pole inductive	3-pole inductive	3-pole inductive	3-pole inductive
Contact function	NO	NO	NO	NO
Output	PNP	PNP	PNP	PNP
Rated operational voltage	5 ... 30 V DC	5 ... 30 V DC	10 ... 30 V DC	10 ... 30 V DC
Rated operational current I_e	≤ 200 mA	≤ 200 mA	≤ 100 mA	≤ 100 mA
Max. voltage drop at I_e	≤ 1.0	≤ 1.0	≤ 2.5	≤ 2.5
Breaking capacity	6 W	6 W	3 W	3 W
Cable length	3 m	0.3 m with M8 connection	6 m	0.3 m with M12 connection
Temperature range	-10 ... +70°C	-10 ... +70°C	-20 ... +60°C	-20 ... +60°C
Protection	IP 67	IP 67	IP 67	IP 67
Switching status indication	LED green	LED green	LED yellow	LED yellow
	-	-	II 3G Ex nA T4 II 3D Ex tD A22 IP67 T 125°C	II 3D Ex tc IIIC T125°C Dc X


Cable with socket for proximity sensors

Model-no.:	KA-30	KA-50	KA-51	KA-100	KA-101
Connection	M8, snap-in	M8, snap-in	M8, snap-in	M8, snap-in	M8, snap-in
Version	straight	straight	elbow 90°	straight	elbow 90°
Cable length	3 m	5 m	5 m	10 m	10 m

Mounting

For this cylinder series separate mounting brackets are necessary for the sensor mounting.

Mounting brackets for proximity sensors

Model-no.:	NT-550
Design	 <p>sensor mounting</p>